



Oscillating Flange

STYLE 3531

The Style 3531 Oscillating Flange has been designed, engineered, and tested to protect some of the world's most valuable assets. Its unique maintenance-free polymer bearing design, high quality material construction and superior performance make it the ideal choice for a long-term, low service solution for protecting your hazardous and harsh environments. The Style 3531 is capable of flows to 1500 gpm at an oscillation range up to 165° and is compatible with most Akron Brass manual monitors.

- Maintenance-free polymer bearing (no ball bearings)
- Totally water powered (no electrical connections)
- Heavy-duty low friction loss brass waterway
- Stainless steel water drive turbine for long life performance
- Oscillation range: 30°, 60°, 90°, 115°, 140° and 165°
- Adjustable oscillation speed: 0-40 deg. / second
- Operating pressure: 50-250 psi (3 - 17 bar)
- Maximum flow and pressure: 1250 gpm (4750 lpm) @ 250 psi (17 bar) or 1500 gpm (5700 lpm) @ 180 psi (12.5 bar)
- Inlet & outlet: 4" 150#ASA flange
- Integrated test port allows testing of the Oscillating Flange without discharging water from the monitor

Easy access to oscillation range adjustment



Style 3531
Patent Pending



Oscillation Range up to 165°



Style 3531 Shown with
Style 3528 Omega™ XP Monitor
and Style 4461 Rampage™ Nozzle



AKRON
BRASS COMPANY

ISO 9001: 2000 Registered Company

In U.S./International
Akron Brass Company
PH: 330.264.5678
FAX: 330.264.2944

In North America
Call Toll Free
PH: 1.800.228.1161
FAX: 1.800.531.7335

IN NORTH AMERICA CALL 1.800.228.1161 | FAX 1.800.531.7335

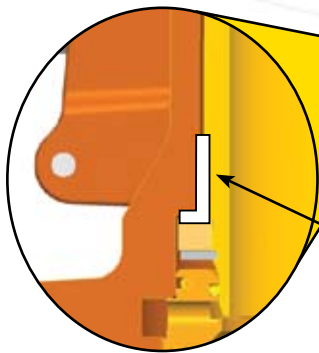
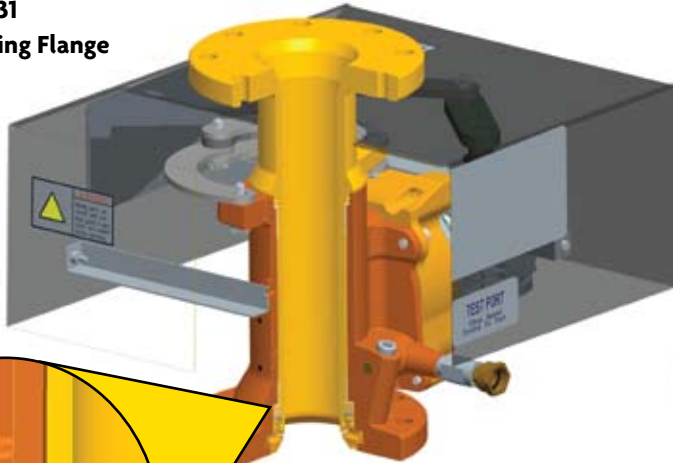
© Copyright 2010 Akron Brass Company. All rights reserved. No portion of this can be reproduced without the express written consent of the Akron Brass Company. (01/10)



Innovative Design

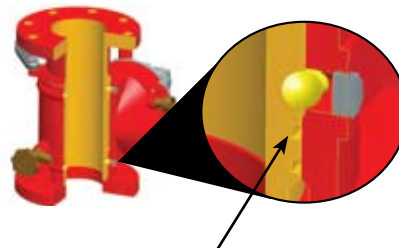
Maintenance-free Polymer Bearing design enhances reliability and extends product life when compared to the typical competitive Ball Bearing Joint design.

**Style 3531
Oscillating Flange**



Maintenance-free polymer bearing design last more than 3 times longer than competitive units

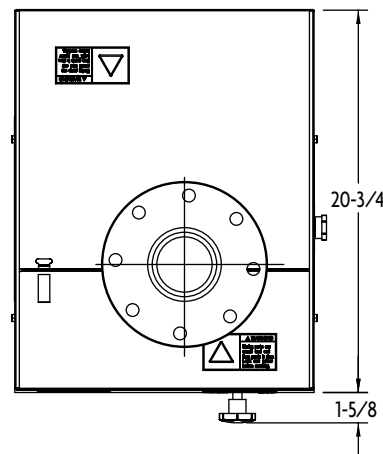
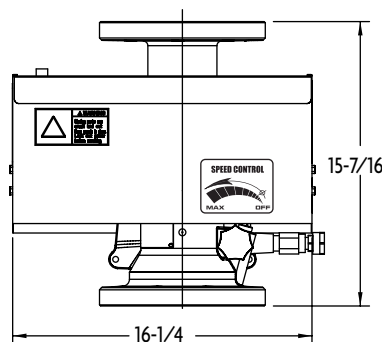
Typical Competitive Designs



Ball bearing designs require regular maintenance and wear excessively in continuous usage operations

Oscillating Flange Specification

An Akron Brass Style 3531 Fixed Oscillating Flange shall be provided. The Oscillating Flange shall have a waterway of brass construction and be equipped with a water driven motor using a stainless steel turbine. The unit shall be of a polymer bearing rotational joint design and shall not use ball bearings within this joint. The oscillating flange must be capable of an oscillation arc adjustable from at least 0 to 165 degrees with an oscillation speed adjustable from 0 to 40 degrees per second. The oscillating flange shall be equipped with 4" 150#ASA inlet and outlet flange and feature a 3" waterway capable of flowing 1250 gpm at 250 psi or 1500 gpm at 180 psi. The oscillating flange shall carry a factory 5 year warranty.



WWW.AKRONBRASS.COM



AKRON
BRASS COMPANY
ISO 9001: 2000 Registered Company

In U.S./International
Akron Brass Company
PH: 330.264.5678
FAX: 330.264.2944

In North America
Call Toll Free
PH: 1.800.228.1161
FAX: 1.800.531.7335

IN NORTH AMERICA CALL 1.800.228.1161 | FAX 1.800.531.7335

© Copyright 2010 Akron Brass Company. All rights reserved. No portion of this can be reproduced without the express written consent of the Akron Brass Company. (01/10)