



# Super Centurion® 250 Fire Hydrant

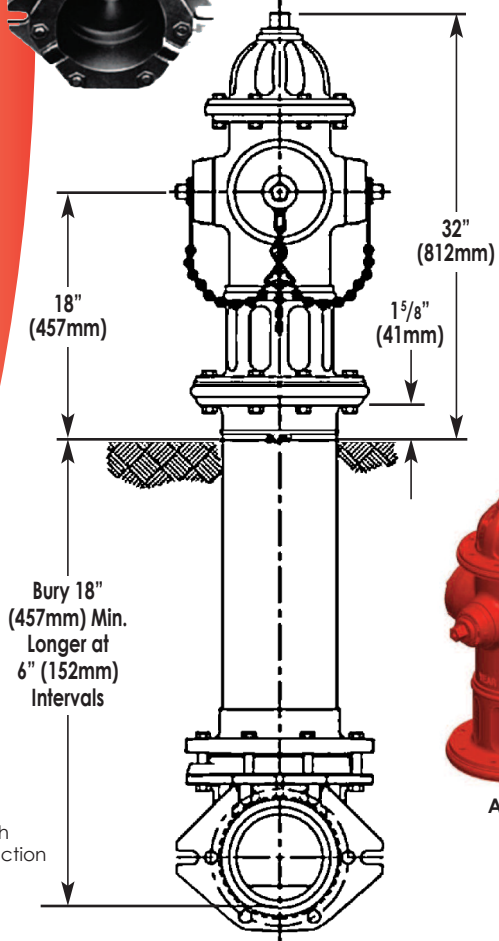
Form 12921 - rev01/16



### Product Features

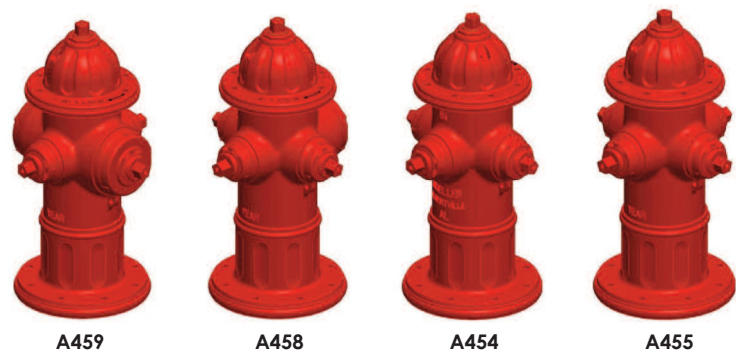
- 3-way and 4-way hydrant: 250psig/17barg maximum working pressure, 500psig/34barg test pressure.
- UL Listed and FM Approved.
- Meets or exceeds all applicable requirements of ANSI/AWWA C502 Standard, UL 246 and FM 1510 specifications.
- O-ring sealed Bonnet, Ground, and Shoe Flange – better leak resistance, easier maintenance.
- O-ring sealed Oil Reservoir with Filler Plug – permits easy check of oil level and refill without removing Bonnet; filled at factory.
- Automatic lubrication – positive lubrication of stem threads and bearing surfaces each time hydrant is operated.
- Full flow performance – large radius hose, pumper openings and conical Upper Valve Plate reduce turbulence and provide low friction loss.
- O-ring sealed Hose and Pumper Nozzles, field replaceable. NST threads standard, optional BSP, BS336, Storz etc. available.
- O-ring sealed Bronze Seat Ring – Resists corrosion and easily removed for maintenance through top of hydrant.
- Safety Flange and stainless steel Safety Stem Coupling – if hydrant is hit by vehicle, flange breaks, coupling pulls free preventing damage to stem and main valve, and uncontrolled water flow – coupling will not break into pieces that could drop down and affect valve operation.
- Double Bronze Drains – each time main valve opens or closes, drain valves force-flush drain openings to keep them open for barrel drainage.
- Inlet Connections: 6"/DN150 Flanged ANSI B16.1 Class 125 Flat Face (optional PN10, PN16 drilling).

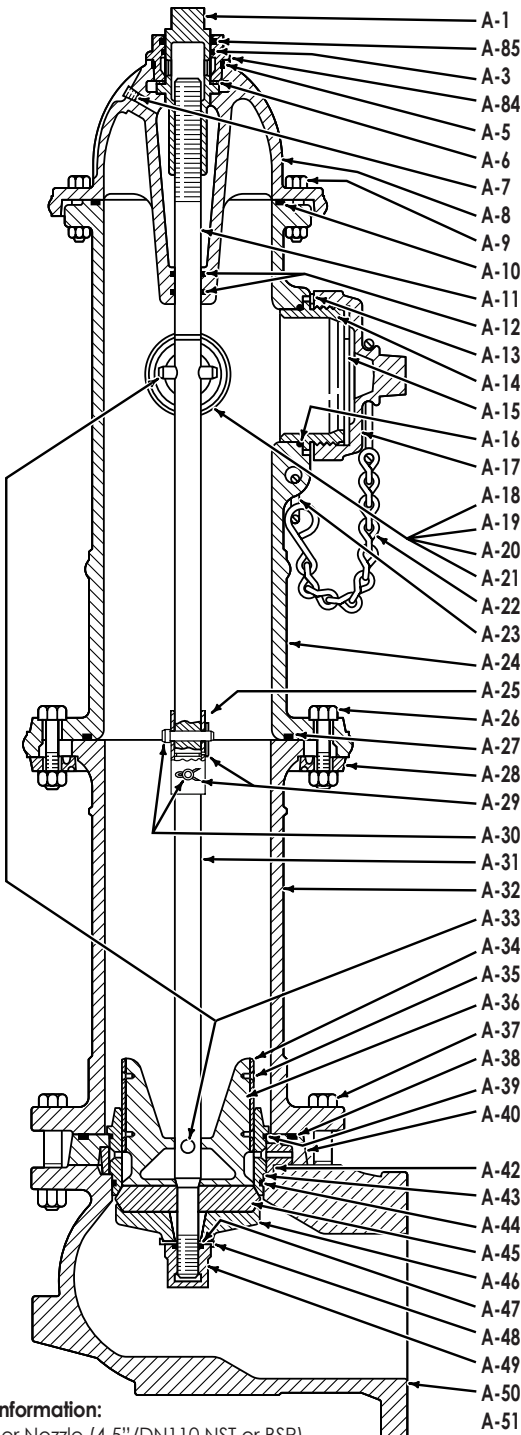
### Dimensions



- Available as: 3-hose, 4-hose, 3-hose and 1-pumper; 2-hose and 2-pumper configurations.
  - A421 4 1/2" (114mm) main valve opening 3-way (2-hose nozzle / 1-pumper nozzle)
  - A423 5 1/4" (133mm) main valve opening 3-way (2-hose nozzle / 1-pumper nozzle)
  - A454 5 1/4" (133mm) main valve opening 3-way (3-hose nozzle)\*
  - A455 5 1/4" (133mm) main valve opening 4-way (4-hose nozzle)\*
  - A458 5 1/4" (133mm) main valve opening 4-way (3-hose nozzle / 1-pumper nozzle)\*
  - A459 5 1/4" (133mm) main valve opening 4-way (2-hose nozzle / 2-pumper nozzle)\*\*
- \*Hose Gate Valves required on FM Approved Models.  
\*\*A459 is UL Listed and ANSI/AWWA C502.

NOTE:  
Shown with  
MJ Connection





### Nozzle Information:

- 1/Pumper Nozzle (4.5"/DN110 NST or BSP)
- 2/Hose Nozzles (2.5"/DN65 NST or BSP)

- 1-1988 & newer models; all pre-1988 models use parts A-2 Weather Cap & A-4 Hold Down Nut. These parts are not shown & must be used with a pre-1988 style Operating Nut, A-1.
- 2-1997 & newer 3-way models; all pre-1997 models have flat gasket
- 3-1997 & newer models; all pre-1997 models have flat gasket
- 4-1997 & newer models; all pre-1997 models have square gasket
- 5-Not Shown; used only on pre-1997 model hydrant
- 6-1997 & newer models only; pre-1997 models use non-reversible main valve & lower valve plate - Not Shown
- 7-1997 & newer models for reversible main valve; pre-1997 models use non-reversible main valve - Not Shown
- 8-6" MJ Shoe is Ductile Iron, ASTM A536 Grade 65-45-12

### Parts List

ID	PART NAME	MATERIAL STANDARD
A-1 <sup>1</sup>	Operating Nut	Bronze ASTM B584
A-3	Hold Down Nut O-Ring	Rubber ASTM D2000 BUNA N
A-5	Bonnet O-Ring	Rubber ASTM D2000 BUNA N
A-6	Anti-Friction Washer	Acetal
A-7	Oil Plug	Brass ASTM B16
A-8	Bonnet	Cast Iron ASTM A126 CL.B
A-9	Bonnet Bolt & Nut	Steel ASTM A307 Plated
A-10	Upper Barrel O-Ring <sup>2</sup>	Rubber ASTM D2000 BUNA N
A-11	Upper Stem	Steel ASTM A576 GR.B
A-12	Stem O-Ring	Rubber ASTM D2000 BUNA N
A-13	Nozzle Lock	Stainless Steel ASTM A276
A-14	Pumper Nozzle	Bronze ASTM B584
A-15	Pumper Noz. Cap Gasket	Rubber ASTM D2000 Neoprene
A-16	Pumper Nozzle O-Ring	Rubber ASTM D2000 BUNA N
A-17	Pumper Nozzle Cap	Cast Iron ASTM A126 CL.B
A-18	Hose Nozzle	Bronze ASTM B584
A-19	Hose Nozzle Gasket	Rubber ASTM D2000 Neoprene
A-20	Hose Nozzle O-Ring	Rubber ASTM D2000 BUNA N
A-21	Hose Nozzle Cap	Cast Iron ASTM A126 CL.B
A-22	Cap Chain	Steel Plated
A-23	Chain Hook	Steel Plated
A-24	Upper Barrel Less Nozzles	Cast Iron ASTM A126 CL.B
A-25	Safety Coupling	Stainless Steel ASTM A890
A-26	Safety Flange Bolt & Nut	Steel ASTM A307 Plated
A-27	Safety Flange O-Ring <sup>3</sup>	Rubber ASTM D2000 BUNA N
A-28	Safety Flange	Cast Iron ASTM A126 CL.B
A-29	Cotter Pin	Stainless Steel ASTM A276
A-30	Clevis Pin	Stainless Steel ASTM A276
A-31	Lower Stem	Steel ASTM A576 Gr.B
A-32	Lower Barrel	Cast Iron ASTM A126 CL.B
A-33	Stem Pin	Stainless Steel ASTM A276
A-34	Drain Valve Facing	Plastic
A-35	Drain Valve Screw	Stainless Steel ASTM A276
A-36	Up. Valve Plate (A-34 & A-35)	Bronze ASTM B584
A-37	Shoe Bolt & Nut	Steel ASTM A307 Plated
A-38	Drain Ring Housing O-Ring <sup>4</sup>	Rubber ASTM D2000 BUNA N
A-39	Seat Ring Top O-Ring	Rubber ASTM D2000 BUNA N
A-40	Drain Ring Housing	Cast Iron ASTM A126 CL.B
A-41	Drain Ring Housing Nut/Bolt <sup>5</sup>	Steel ASTM A307 Plated
A-42	Drain Ring	Bronze ASTM B584
A-43	Seat Ring	Bronze ASTM B584
A-44	Seat Ring Bottom O-Ring	Rubber ASTM D2000 BUNA N
A-45	Reversible Main Valve <sup>6</sup>	Rubber ASTM D2000 SBR
A-46	Lower Valve Plate <sup>7</sup>	Cast Iron ASTM A126 CL.B
A-47	Cap Nut Seal	Rubber ASTM D2000 BUNA N
A-48	Lock Washer	Stainless Steel ASTM A276
A-49	Lower Valve Plate Nut	Cast Iron ASTM A126 CL.B
A-50	Shoe <sup>8</sup> - Flanged	Cast Iron ASTM A126 CL.B
A-84 <sup>1</sup>	Hold Down Nut	Bronze ASTM B584
A-85 <sup>1</sup>	Weather Seal	Rubber ASTM D2000 EP
A-51	10.5 oz. Hydrant Lubricating Oil (not shown)	