

JONES[®]

a MUELLER brand

J6000 SERIES BREAK CHECK

Industry-Leading Infrastructure Protection



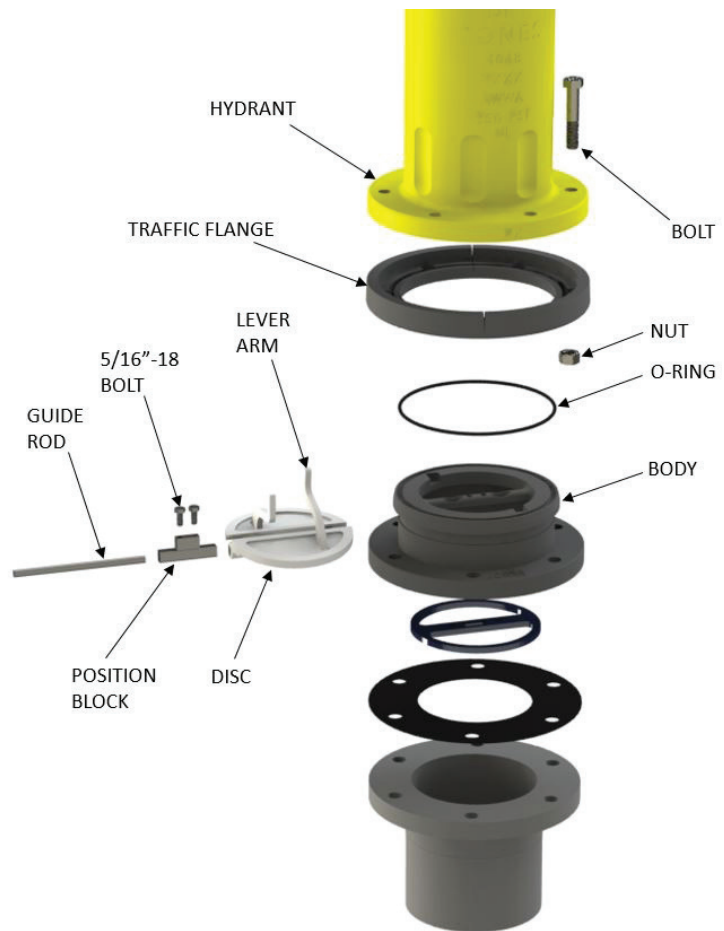
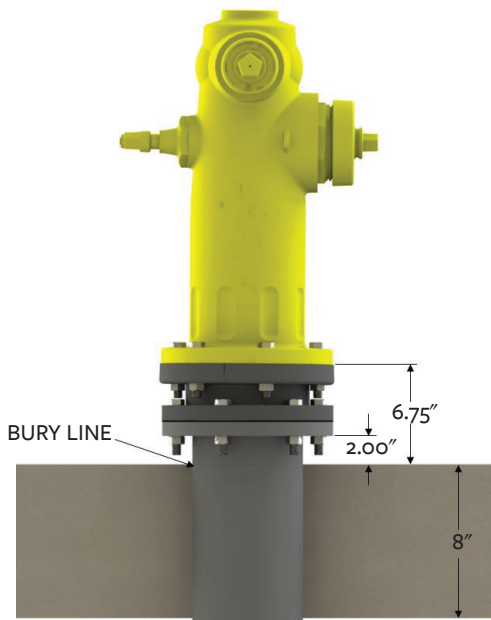
MUELLER

J6000 SERIES BREAK CHECK

Industry-Leading Infrastructure Protection

Designed for ease of installation and superior infrastructure protection, the Jones J6000 Break Check provides “install and forget” passive protection. When struck by a vehicle, the J6000 closes automatically minimizing property damage and water loss. The J6000 emits a mist of water providing notification an accident has occurred.

- ▶ 350 psi rated
- ▶ AWWA C550 compliant
- ▶ All Ductile Iron and Stainless Steel construction
- ▶ No orifices in Body, avoiding leak paths
- ▶ 360° Hydrant Rotation
- ▶ Back in service quickly after impact
- ▶ 3-3/4" Tall
- ▶ Weighs on less than 30 lbs.



For more information about Jones water products, please visit joneswaterproducts.com or call Jones customer service at 1.800.423.1323.

Mueller refers to one or more of Mueller Water Products, Inc., a Delaware corporation ("MWP"), and its subsidiaries. MWP and each of its subsidiaries are legally separate and independent entities when providing products and services. MWP does not provide products or services to third parties. MWP and each of its subsidiaries are liable only for their own acts and omissions and not those of each other. MWP brands include Mueller®, Echologics®, Hydro Gate®, Hydro-Guard®, HYMAX®, Jones®, Krausz®, Mi.Net®, Milliken®, Pratt®, Singer®, and U.S. Pipe Valve & Hydrant. Please see www.muellerwp.com/about to learn more.

Copyright © 2019 James Jones Company, LLC. All Rights Reserved. The trademarks, logos and service marks displayed in this document are the property of Mueller Water Products, Inc., its affiliates or other third parties. Products above marked with a section symbol (§) are subject to patents or patent applications. For details, visit www.mwppat.com. These products are intended for use in potable water applications. Please contact your Mueller Sales or Customer Service Representative concerning any other application(s).

F 14156 10/19

