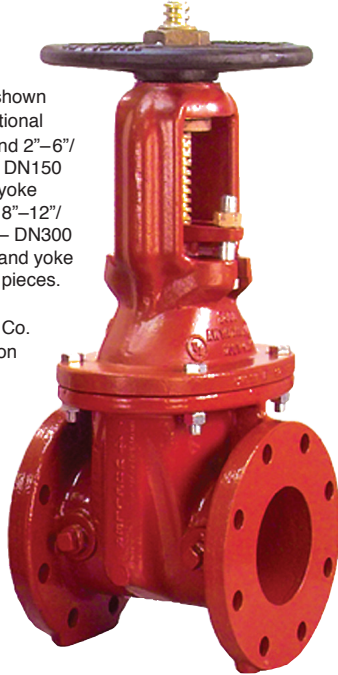


# R-2361 Resilient Wedge Gate Valve

OS&amp;Y: 2" – 12"/DN50 – DN300

**Mueller Co.**

Image shown with Optional Plugs and 2"–6"/DN50 – DN150 bonnet/yoke combo. 8"–12"/DN200 – DN300 bonnet and yoke are two pieces. Contact Mueller Co. for Option details.

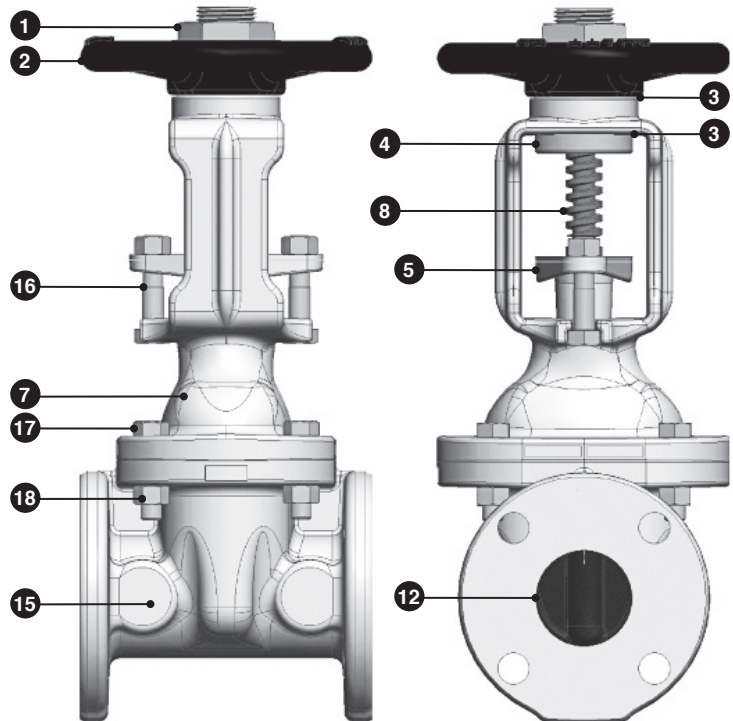


## PRODUCT FEATURES

- Outside Screw & Yoke (OS&Y).
  - Style R-2361: 2"–12"/DN50 – DN300.\*
  - Iron Body, Bonnet, and Yoke.
  - Mueller Pro-Gard® Fusion Bonded Epoxy Coating inside and out covers all cast surfaces (10mil/250 $\mu$  nominal); meets AWWA ANSI C550 and complies with ANSI/NSF 61 and 372.
  - Iron wedge, symmetrical and fully encapsulated with molded rubber; no exposed iron.
  - Polymer cap bearings on wedge guides resist wear and provide easy operation.
  - Bi-directional flow.
  - 10-year limited warranty.
- 2"/DN50: 200psig/14barg UL/FM WP, 400psig/28barg TP, 250psig/17barg AWWA WP, 500psig/34barg TP; 2½"–3"/DN65–DN80: 250psig/17barg WP, 500psig/34barg UL/FM TP; 4"–12"/DN100–DN300: 350psig/24barg AWWA/UL/FM WP, 700psig/48barg TP.
  - UL listed, FM approved.
  - Meets AWWA C509 and C515 requirements.
  - End Connection: Flanged end drilling complies with ANSI B16.1, Class 125 and ANSI B16.42, Class 150 – Flat Face. Also available with PN10 or PN16 drilling.
- \*2½" & 3"/DN65 & DN80 style R-2365.

## PARTS LIST

ID	PART NAME	MATERIAL
1	Cap Nut	Bronze ASTM B62/B584
2	Handwheel	Ductile Iron ASTM A536
3	Thrust Washer	Brass
4	Bush Nut	Bronze ASTM B62
5	Gland Flange	Ductile Iron ASTM A536
6	Stem Packing**	Lube Flax
7	Bonnet Yoke	Ductile Iron ASTM A536
8	Stem	Manganese Bronze ASTM B138
		Silicon Bronze ASTM B98
		304 Stainless Steel   ASTM A276 &
		316 Stainless Steel   ASTM A473
9	O-Ring	Nitrile ASTM D2000
10	Disc Nut	Bronze ASTM B584
11	Pin, Type E	304 Stainless Steel
12	Disc	See Note 1
13	Guide Cap	Acetal
14	Bonnet Gasket	Nitrile ASTM D2000
15	Body	Ductile Iron ASTM A536
16	Gland Bolt	304 Stainless Steel ASTM F593A
17	Bonnet Bolt	304 Stainless Steel ASTM F593A
18	Bonnet Nut	304 Stainless Steel ASTM F594
19	Gland Nut	Silicon Bronze ASTM B98



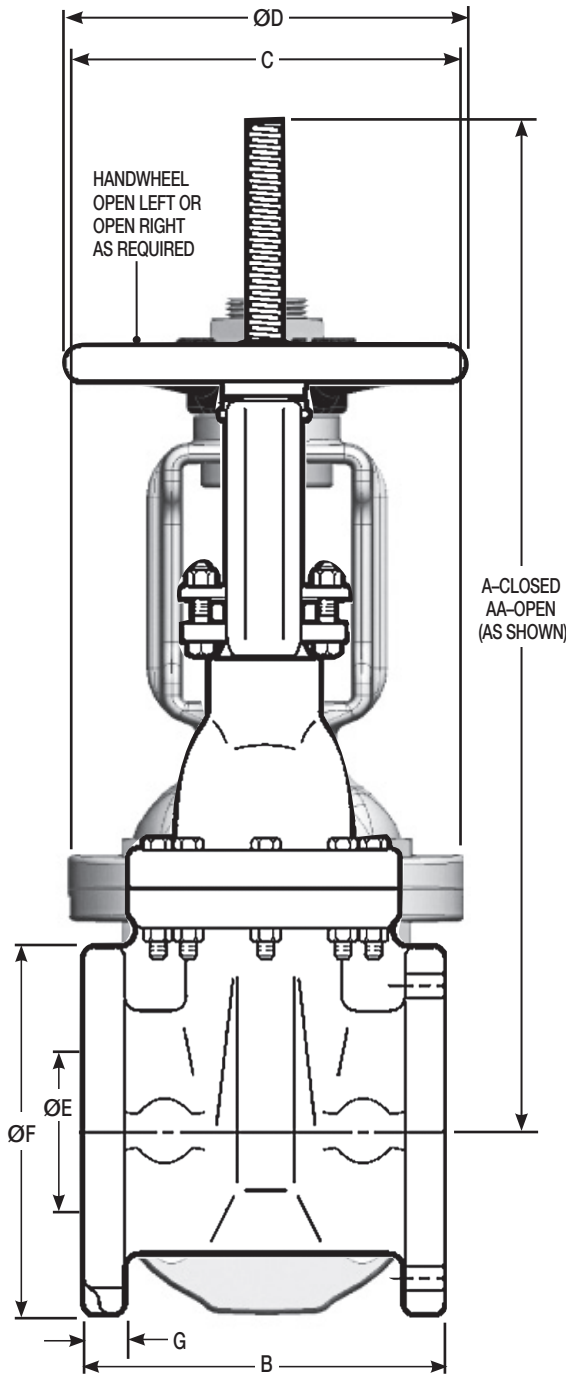
**Note 1.** 2" – 3"/DN50 – DN80 Rubber Encapsulated Grey Iron Disc Rubber – SBR ASTM D2000. Manufacturer's option to upgrade to Ductile Iron ASTM A536. 4" – 12"/DN100 – DN300 Rubber Encapsulated Ductile Iron Disc Rubber – SBR ASTM D2000.

## \*\*STEM PACKING INFORMATION

Valve Size	2"/DN50, 2½"/DN65, 3"/DN80	4"/DN100	6"/DN150	8"/DN200	10"/DN250	12"/DN300
Part No. / Quantity	175972 / 4	176477 / 4	170712 / 4	175937 / 4	175975 / 4	170749 / 3
Size – inches (mm)	¼ (6) x 3⅝ (92)	¼ (6) x 4¼ (108)	⅝ (8) x 4¾ (121)	⅝ (8) x 5⅞ (130)	⅝ (8) x 5½ (133)	¾ (10) x 6⅜ (161)

# R-2361 Resilient Wedge Gate Valve

OS&Y: 2" – 12"/DN50 – DN300



## DIMENSIONS – Inches (mm)

Valve Size	A-Closed	AA-Open	B	C*
2"/DN50	14.09 (357)	16.69 (424)	7.00 (178)	7.02 (178)
2½"/DN65	15.91 (404)	19.56 (497)	7.50 (191)	8.63 (219)
3"/DN80	15.66 (398)	19.31 (490)	8.00 (203)	8.63 (219)
4"/DN100	19.00 (483)	23.68 (601)	9.00 (229)	10.79 (274)
6"/DN150	24.50 (622)	31.38 (797)	10.50 (267)	13.50 (343)
8"/DN200	29.50 (749)	38.50 (978)	11.50 (292)	16.36 (416)
10"/DN250	35.75 (908)	47.00 (1194)	13.00 (330)	19.99 (508)
12"/DN300	40.50 (1028)	53.50 (1359)	14.00 (356)	21.00 (533)

Valve Size	$\varnothing D$	$\varnothing E$ Thru $\varnothing$	$\varnothing F$	G
2"/DN50	7.00 (178)	2.30 (58)	6.00 (152)	0.68 (17)
2½"/DN65	8.00 (203)	2.80 (71)	7.00 (178)	0.75 (19)
3"/DN80	8.00 (203)	3.30 (84)	7.50 (191)	0.80 (20)
4"/DN100	10.00 (254)	4.31 (109)	9.00 (229)	0.94 (24)
6"/DN150	12.00 (305)	6.30 (160)	11.00 (279)	1.06 (27)
8"/DN200	14.00 (356)	8.30 (211)	13.50 (343)	1.19 (30)
10"/DN250	16.00 (406)	10.30 (262)	16.00 (406)	1.25 (32)
12"/DN300	16.00 (406)	12.30 (312)	19.00 (483)	1.31 (33)

\*C dimension is the overall width of the bonnet flange.

## WEIGHT – lb. (kg)

Valve Size	2"/DN50	2½"/DN65	3"/DN80	4"/DN100	6"/DN150	8"/DN200	10"/DN250	12"/DN300
Weight	41 (19)	64 (29)	65 (29)	113 (51)	173 (78)	280 (127)	436 (198)	586 (266)



Copyright © 2016 Mueller Co., LLC. All Rights Reserved. The trademarks, logos and service marks displayed in this document herein are the property of Mueller Co., LLC, its affiliates or other third parties. Products marked with a section symbol (§) are subject to patents or patent applications. For details, visit [www.mwppat.com](http://www.mwppat.com). These products are intended for use in potable water applications. Please contact your Mueller Sales or Customer Service Representative concerning any other application(s).