

Resilient Wedge Post Indicator Valves

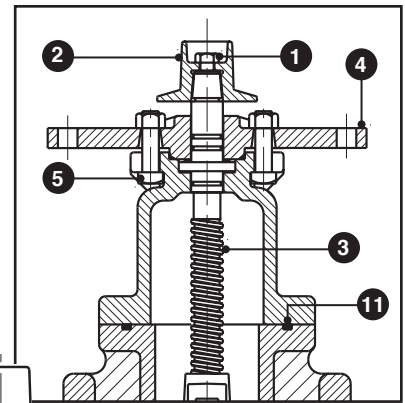
350 PSI: 4" – 12"/DN100 – DN300

Mueller Co.



PRODUCT FEATURES

- NRS Post Indicator Valve (PIV).
- Models: P-2361 4"–12"/DN100 – DN300.
- Ductile Iron Body, Bonnet and Post Indicator Flange.
- Mueller Pro-Gard® Fusion Bonded Epoxy Coating inside and out cover all cast surfaces – 10 mils (250µm) nominal; meets AWWA/ANSI C515 and complies with ANSI/NSF 61 & 372.
- Ductile Iron wedge, symmetrical & fully encapsulated with molded rubber; no exposed iron.
- Polymer cap bearing on wedge guides resist wear and provide easy operation.
- Three stem O-rings seal in lubricant – two above thrust collar, one below.
- Polymer anti-friction washers – one above and one below thrust collar reduce operating torque.
- Bi-directional flow.
- 10-year limited warranty.
- Working Pressure: 350psig/24barg; Test Pressure: 700psig/48barg.
- UL 262 listed (4"–12"/DN100 – DN300); FM 1120/1130 approved (4"–12"/DN100 – DN300).
- End Connection: Flanged end drilling complies with ANSI B16.1, Class 125 and ANSI B16.42, Class150 - Flat Face. Also available with PN10 or PN16 drilling. (Mechanical Joint connections also available).



PARTS LIST

ID	PART NAME	MATERIAL
1	Cap Screw	304 Stainless Steel (See Note 2)
2	Operating Nut	Ductile Iron ASTM A536
3	Stem	Bronze ASTM B98
4	Stuffing Box	Ductile Iron ASTM A536
5	Stuffing Box Bolts/Nuts	304 Stainless Steel (See Note 2)
6	O-Ring	NBR ASTM D2000
7	O-Ring	NBR ASTM D2000
8	Anti-Friction Washer	Acetal
9	Bonnet	Ductile Iron ASTM A536
10	Bonnet Bolts/Nuts	304 Stainless Steel (See Note 2)
11	Bonnet Gasket (O-Ring)	NBR ASTM D2000
13	Wedge Nut	Bronze ASTM B584
14	Wedge	See Note 1
15	Guide Cap	Acetal
16	Body	Ductile Iron ASTM A536

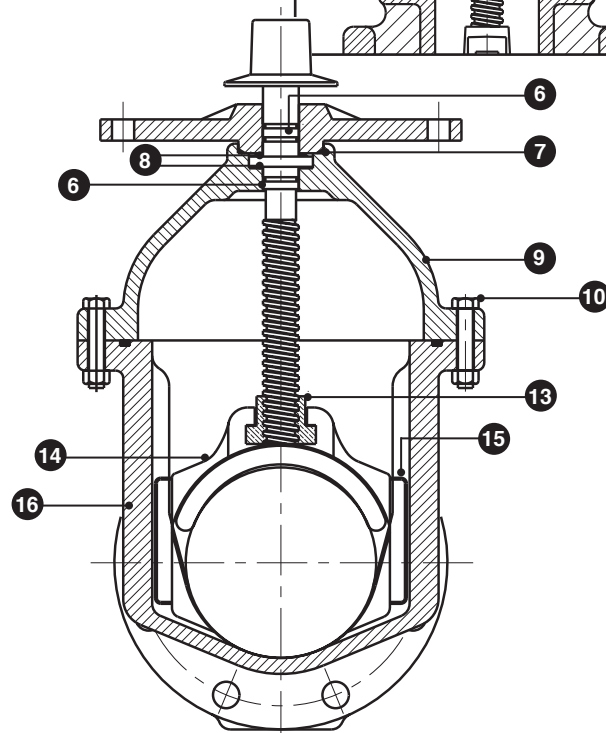
Notes:

1. Rubber-encapsulated Ductile Iron Disc, Rubber – SBR ASTM D2000, Ductile Iron ASTM A536.

2. Bonnet Bolts – ASTM F593 Group 1-SH.

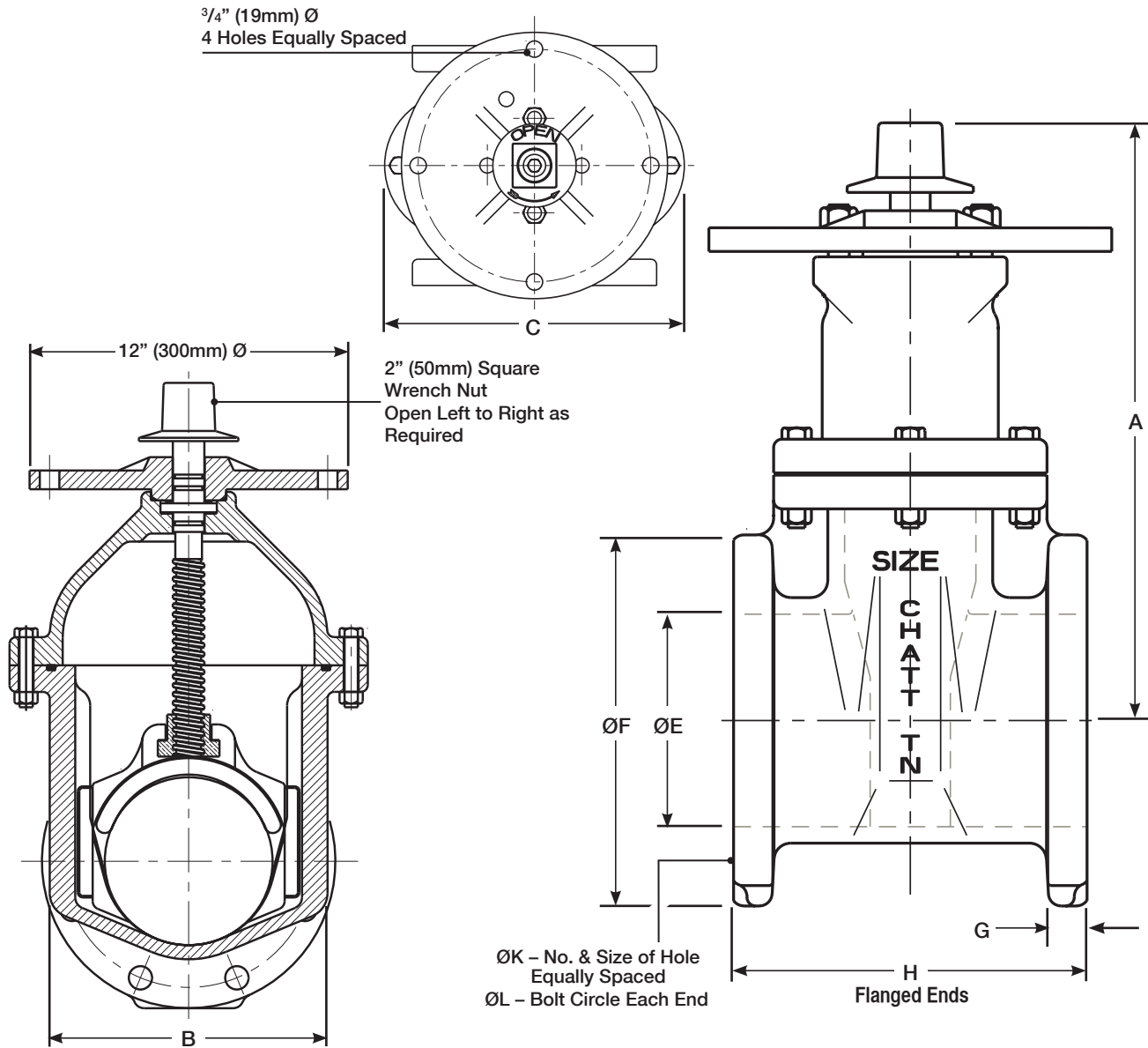
Nuts – ASTM F594 Group 1-CW.

Cap Screw and Stuffing Box Bolts – ASTM F593 Group 1-CW.



Resilient Wedge Post Indicator Valves

350 PSI: 4" – 12"/DN100 – DN300



DIMENSIONS – inches (mm)

Valve Size	A	B	C	ØE	ØF	G	H	NO. - ØK	ØL	Turns to Open
4"/DN100	14.19 (360)	7.75 (210)	10.79 (274)	4.30 (109)	9.00 (229)	0.78 (20)	9.00 (229)	8 - 0.75 (19)	7.50 (191)	14
6"/DN150	18.00 (457)	9.97 (267)	13.50 (343)	6.30 (160)	11.00 (279)	0.93 (24)	10.50 (267)	8 - 0.88 (22)	9.50 (241)	20.5
8"/DN200	21.50 (546)	12.60 (336)	16.36 (416)	8.30 (211)	13.50 (343)	0.93 (24)	11.50 (292)	8 - 0.88 (22)	11.75 (298)	26.5
10"/DN250	25.50 (648)	16.48 (419)	19.99 (508)	10.30 (262)	16.00 (406)	1.25 (32)	13.00 (330)	12 - 1.00 (25)	14.25 (362)	33
12"/DN300	28.62 (727)	16.83 (427)	21.00 (533)	12.30 (312)	19.00 (483)	1.31 (33)	14.00 (356)	12 - 1.00 (25)	17.00 (432)	38.5

WEIGHT – lb. (kg)

Valve Size	4"/DN100	6"/DN150	8"/DN200	10"/DN250	12"/DN300
FLANGED	98 (44)	154 (70)	232 (105)	344 (156)	459 (208)



Copyright © 2016 Mueller Co., LLC. All Rights Reserved. The trademarks, logos and service marks displayed in this document herein are the property of Mueller Co., LLC, its affiliates or other third parties. Products marked with a section symbol (§) are subject to patents or patent applications. For details, visit www.mwppat.com. These products are intended for use in potable water applications. Please contact your Mueller Sales or Customer Service Representative concerning any other application(s).