



# Monitor Fire Hydrant – 3-Way Ductile Iron

Form 12741 – 4/13

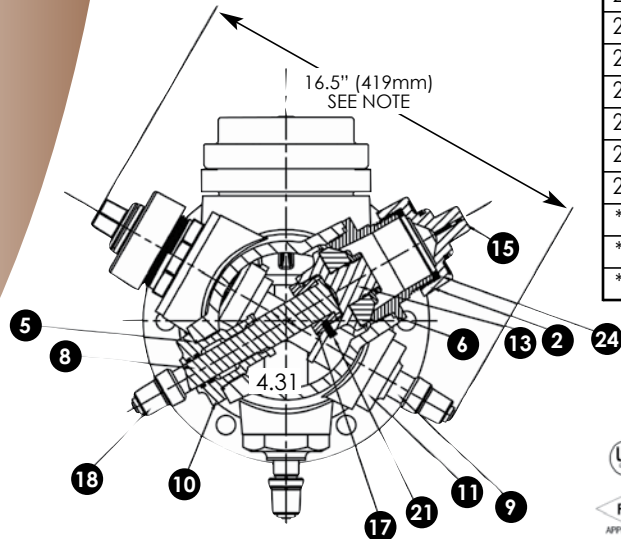
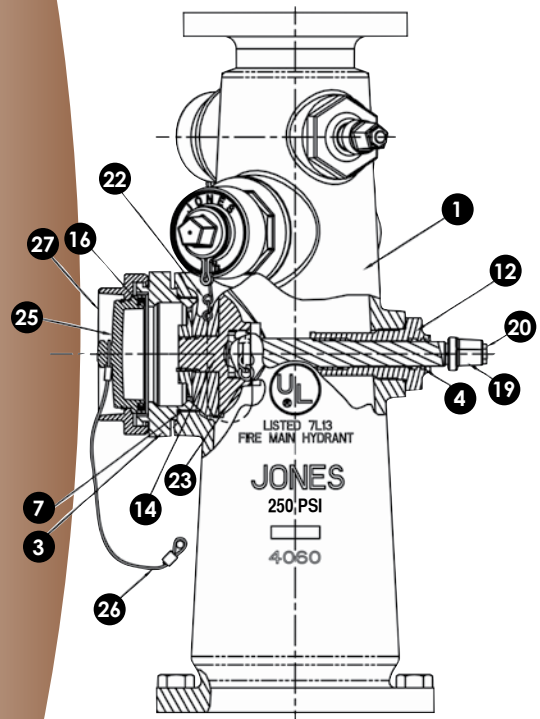
### Product Features

- Integral Monitor Mounting Flange
- Meets or Exceeds ANSI/AWWA C503
- Individual Stem Operation
- Limited Number of Internal Parts
- Nozzle Threads Conform to NFPA 1963, NH/NST
- Removable Nozzle Design
- Available in a Variety of Bolt Hole Patterns
- Low Zinc Silicon Bronze Stems
- Heavy Duty Disc Holder
- Product Rated up to 250 PSI (1723 kPa), Hydrostatically Tested at 500 PSI (3447 kPa)
- O-Ring Construction in Stem Insert
- Epoxy Coated Interior Meets AWWA C550 and NSF 61
- Plastic Caps Available
- 10-year Limited Warranty
- Shown with optional 5" Storz Pumper Nozzle – 4 1/2" nozzle with threaded cap is standard.



### Parts List

ID	PART NAME	MATERIAL	PART NO.
1	Hydrant Body	Ductile Iron	34-0202
2	Nozzle Insert - 2 1/2"	Brass C83600	34-0113
3	5" Storz Pumper Nozzle*	Manganese Bronze	240675
4	O-Ring	Rubber	15-0183
5	O-Ring	Rubber	15-0192
6	O-Ring	Rubber	15-0242
7	Pumper Nozzle O-Ring	Rubber BUNA-N	15-0243
8	Stem - Short	Brass C87600	26-0089
9	Stem - Long	Brass C87600	26-0093
10	Insert - 2 1/2" Short	Brass C83600	34-0688
11	Insert - 2 1/2" Medium	Brass C83600	34-0689
12	Insert - 4 1/2" Long	Brass C83600	34-0690
13	Disc & Holder - 2 1/2"	Brass C83600	27-0500
14	Disc & Holder - 4 1/2"	Brass C83600	27-0501
15	Cap - 2 1/2"	Cast Iron	23-0563
16	Gasket*	Rubber	290486
17	Locknut - Stem	Brass C83600	16-0016
18	Nut - Operating	Brass C87600	21-0004
19	Nut - Operating	Brass C87600	21-0016
20	Nut - Stem	Brass C86300	16-0254
21	Set Screw	Stainless Steel	20-0026
22	Chain	Zinc Coated Steel	30-0003
23	S-Hook	Zinc Coated Steel	30-0021
24	Gasket 2 1/2"	Rubber Neoprene	15-0040
25	5" Storz Center Cap*	Aluminum Alloy	240568
26	Storz Cap Cable*	Stainless Steel	240755
27	5" Storz Outer Cap*	Aluminum Alloy	240571
**	Nozzle Insert	Brass C83600	
**	Gasket	Rubber	
**	Cap 4 1/2"	Cast Iron	



**NOTE:** This is a reference dimension only. Actual dimension may vary with tightness of valve and cap.

\*Parts associated with optional Storz Pumper Nozzle.

\*\*Not shown, parts associated with standard 4 1/2" pumper nozzle.



INTERNATIONAL DIVISION

moreinfo@muellercompany.com

### Dimensions

