

Shaded area indicates change

FIRE PROTECTION PRODUCTS

R-2365-6: O.S.&Y. RESILIENT WEDGE GATE VALVE WITH FLANGE ENDS

- 10" AND 12" SIZES
- MEETS OR EXCEEDS ALL APPLICABLE REQUIREMENTS OF UL 262 AND FM 1120/1130 SPECIFICATIONS AND COMPLIES WITH NSF-61
- DUCTILE IRON BODY WITH MUELLER® PRO-GARD™ FUSION EPOXY COATED INTERIOR & EXTERIOR SURFACES
- OUTSIDE SCREW AND YOKE (O.S.&Y.)
- FLANGED END DIMENSIONS AND DRILLING
- RUBBER ENCAPSULATED IRON WEDGE
- ADJUSTABLE PACKING
- HANDWHEEL – OPEN LEFT OR OPEN RIGHT
- 250 PSIG (1723KPA) MAXIMUM WORKING PRESSURE - 500 PSIG (3447 KPA) STATIC TEST
- EPOXY COATING MEETS OR EXCEEDS ANSI/AWWA C550 AND COMPLIES WITH NSF-61

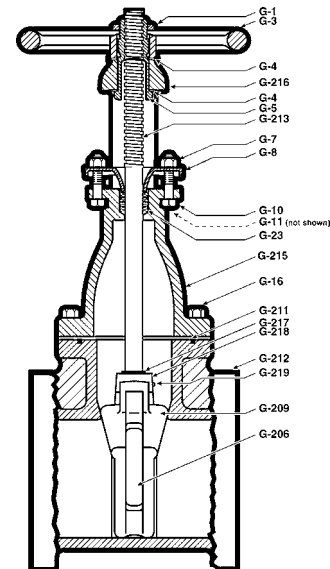


Options

- STAINLESS STEEL FASTENERS: TYPE 316
- PN10/PN16 DRILLING

PARTS LIST

| Catalog Part No. | Description | Material | Material Standard |
|------------------|----------------------------|-----------------|--------------------------|
| G-1 | Cap Nut | Bronze | ASTM B62 |
| G-3 | Hand Wheel | Cast Iron | ASTM A126 CL.B |
| G-4 | Washer | Brass | |
| G-5 | Bush Nut | Bronze | ASTM B584 |
| G-7 | Gland Nut | Bronze | ASTM B21 Alloy 464 |
| G-8 | Packing Gland | Ductile Iron | ASTM A536 Grade 65-45-12 |
| G-10 | Gland Bolt | Stainless Steel | Type 304 |
| G-11 | Yoke Bolt & Nut | Stainless Steel | Type 304 |
| G-16 | Bonnet Bolts & Nuts | Stainless Steel | Type 304 |
| G-23 | Stem Packing | Lubricated Flax | |
| G-206 | Guide Cap Bearings | Celcon | |
| G-209 | Wedge, Rubber Encapsulated | Cast Iron** | ASTM A126 CL.B |
| G-211 | Bonnet Gasket | Rubber | ASTM D2000 |
| G-212 | Body | Ductile Iron | ASTM A536 Grade 65-45-12 |
| G-213 | Stem | Stainless Steel | Type 431 |
| G-215† | Bonnet | Ductile Iron | ASTM A536 Grade 65-45-12 |
| G-216† | Yoke | Cast Iron | ASTM A126 CL.B |
| G-217 | O-ring | Nitrile | ASTM D2000 |
| G-218 | Disc Nut | Bronze | ASTM B62 |
| G-219 | Stem Nut Pin | Stainless Steel | Type 304 |



DIMENSIONS

| Dimension* | Size | |
|--------------------------------|--------|--------|
| | 10" | 12" |
| A | 47.00" | 53.50" |
| AA | 35.75" | 40.50" |
| E | 16.00" | 16.00" |
| R | 16.00" | 19.00" |
| FF | 13.40" | 14.00" |
| UU | 14.25" | 17.00" |
| FFF (number and size of holes) | 12--1" | 12--1" |
| Turns to open | 33.5 | 39 |
| Weight (lbs.)* | 448 | 596 |

NOTE: Flanged end dimensions and drilling comply with ANSI B16.1, class 125.

*All dimensions are in inches. All weights are in pounds and are approximate.

** Fully encapsulated in molded rubber with no iron exposed.

